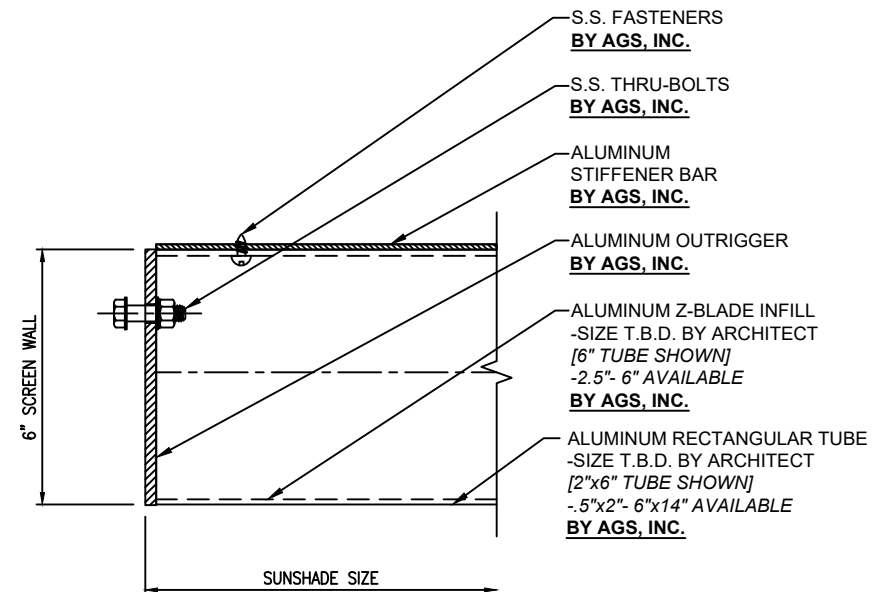


STANLEY SERIES "Columbus"
SUNSHADE SECTION



STANLEY SERIES "Columbus"
SUNSHADE DETAIL

NOTE:
ATTACHMENT TO
STRUCTURE TO BE
DETERMINED BY
AGS ENGINEER.

PROJECT NAME:	---
LOCATION:	---
ARCHITECT:	---
LOCATION:	---
CONTRACTOR:	---
LOCATION:	---
REPRESENTATIVE:	---
LOCATION:	---
AGS, INC. PROJECT MANAGER:	---
SHEET NAME:	SUNSHADE SECTION AND DETAIL SHEET
JOB NUMBER:	---
FINISH:	---
AS SHOWN SCALE:	---
DRAWN BY:	---
DATE:	---
SHEET NO.:	01-01
REV. NO.:	1
DATE:	---
BY:	---

AGS Inc.
22442 Fey Drive
Frankfort, IL 60423
Ph: (708) 479-9458
Fax: (708) 479-9478
www.agsshade.com

Architectural Grilles & Sunshades, Inc.