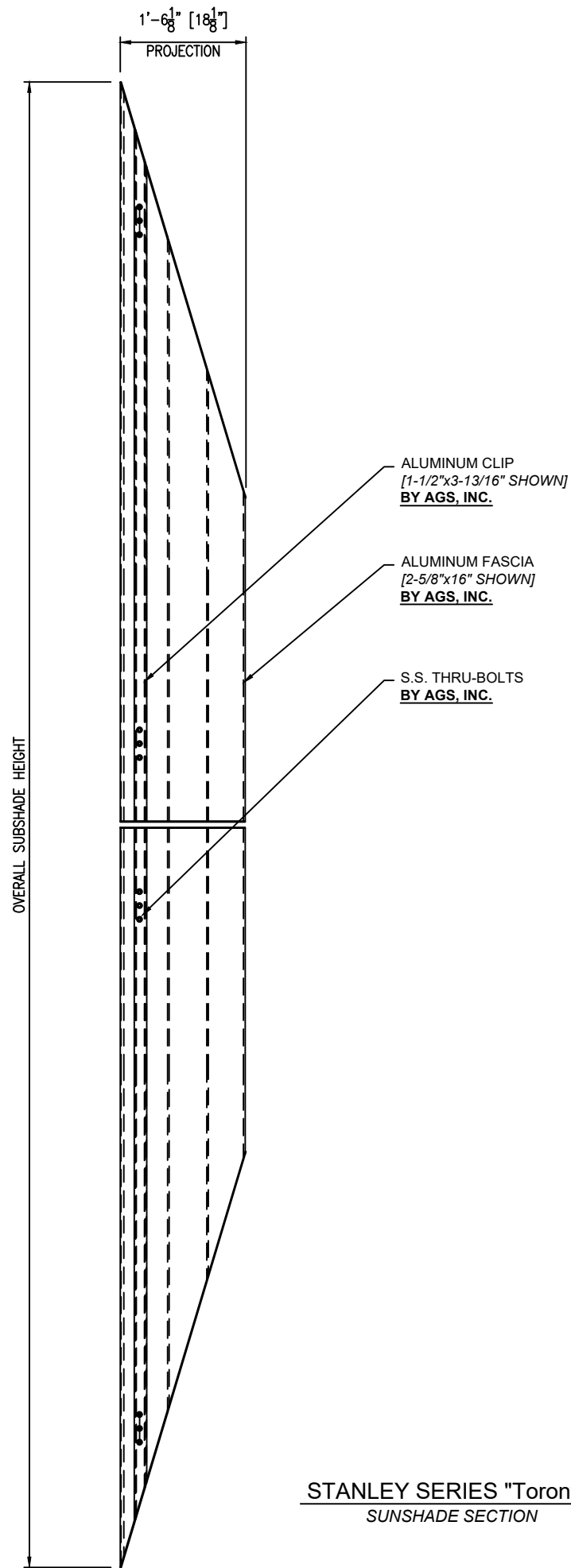
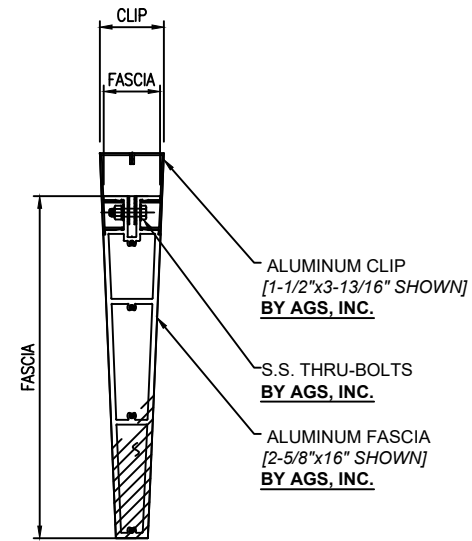


NOTE:
ATTACHMENT TO
STRUCTURE TO BE
DETERMINED BY
AGS ENGINEER.



STANLEY SERIES "Toronto"
SUNSHADE SECTION



STANLEY SERIES "Toronto"
CONNECTION DETAIL

PROJECT NAME:	---
ARCHITECT:	---
CONTRACTOR:	---
REPRESENTATIVE:	---
AGS, INC. PROJECT MANAGER:	---
SHEET NAME: SUNSHADE SECTION AND DETAIL SHEET	
JOB NUMBER ---	
FINISH ---	
AS SHOWN SCALE:	---
DATE:	---
DRAWN BY:	---
SHEET NO.:	01-01
REV. NO.	BY DATE
5	
4	
3	
2	
1	

AGS Inc.
22442 Fey Drive
Frankfort, IL 60423
Ph: (708) 479-9458 Fax: (708) 479-9478
www.agsshadec.com

Architectural Grilles & Sunshades, Inc.