

**ENGINEER OF RECORD VERIFY WALL CAN SUPPORT SUNSHADE LOADS:**

DESIGN LOAD: 57 psf

GROUND SNOW LOAD: 50 psf  
 -See maps where these calculations do not apply.

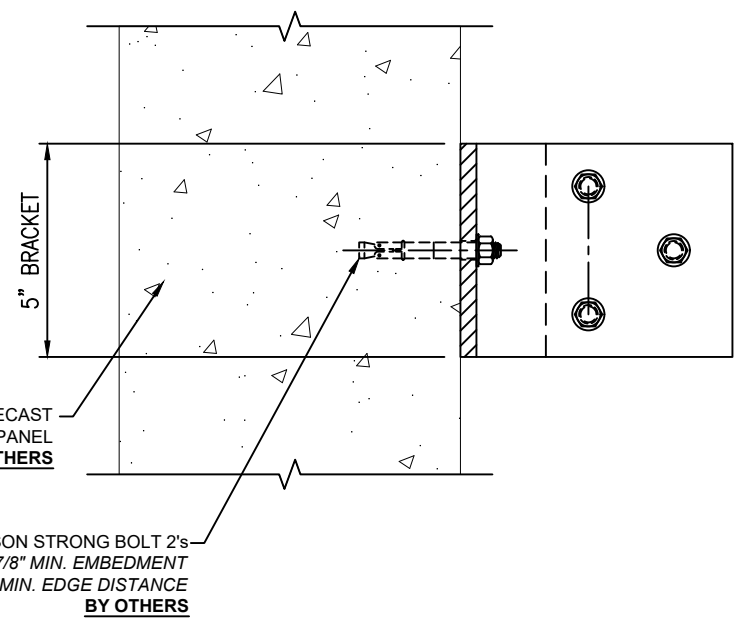
WIND SPEED: 120 mph  
 -See maps where these calculations do not apply.

ANCHORAGE IS BASED ON 30" PROJECTION.

MAXIMUM LENGTH OF SUNSHADE: 60"

SURFACE MOUNTED SUNSHADE

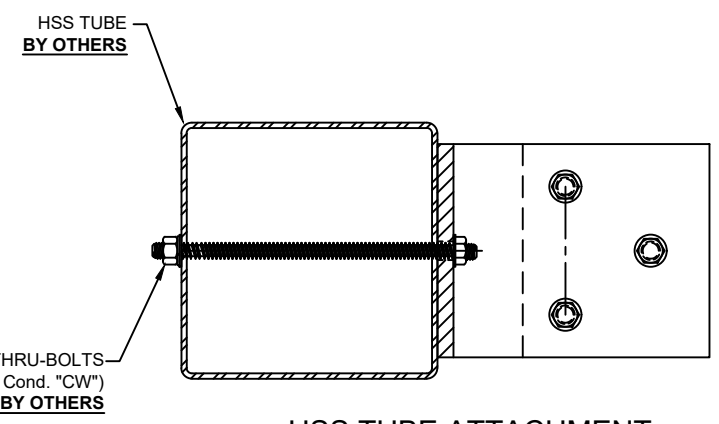
S.S. BOLTS  
 \*SEE ATTACHMENT HARDWARE OPTIONS PER ENGINEERING CALCULATIONS BELOW\*  
 BY OTHERS



PRECAST ATTACHMENT

PRECAST CONCRETE PANEL  
 BY OTHERS

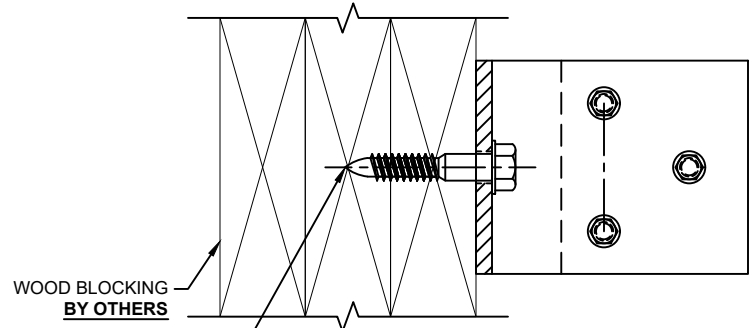
(2) 3/8" SIMPSON STRONG BOLT 2's  
 2-7/8" MIN. EMBEDMENT  
 12" MIN. EDGE DISTANCE  
 BY OTHERS



HSS TUBE ATTACHMENT

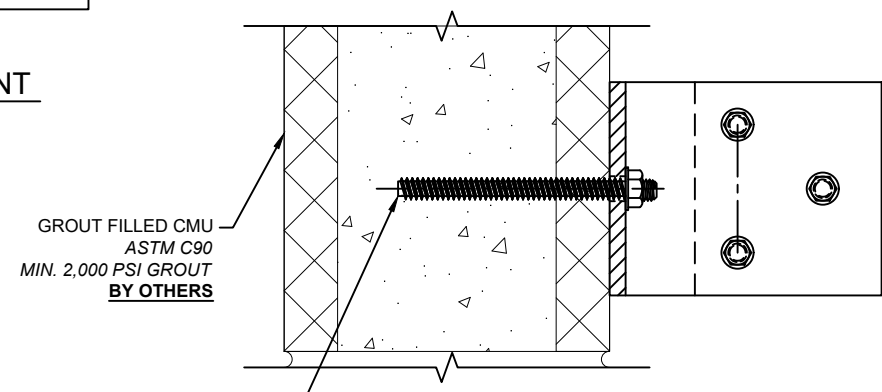
HSS TUBE  
 BY OTHERS

(2) 3/8" DIA. S.S. THRU-BOLTS  
 (A304-Fy=65 ksi Cond. "CW")  
 BY OTHERS



WOOD BLOCKING ATTACHMENT

(2) 5/8" DIA. S.S. LAG SCREWS  
 (A304-Fy=65 ksi Cond. "CW")  
 BY OTHERS



GROUT FILLED CMU ATTACHMENT

(2) 1/2" DIA. HILTI HIT-HY 270 ADHESIVE ANCHORS  
 300 SERIES S.S. THREADED ROD  
 4-1/2" MIN. EMBEDMENT  
 4" MIN. EDGE DISTANCE  
 4" MIN. SPACING  
 BY OTHERS

**KILKENNY QUICK SHIP**

5				REV. NO.	DATE	BY	
4				1			
3				2			
2				3			
1				4			
	<b>AGS Inc.</b> 22442 S. Fey Drive Frankfort, IL 60423 Ph: (708) 479-9458 Fax: (708) 479-9478 www.agsshade.com						
<b>Architectural Grilles &amp; Sunshades, Inc.</b>							
PROJECT NAME: _____							
LOCATION: _____							
ARCHITECT: _____							
CONTRACTOR: _____							
REPRESENTATIVE: _____							
LOCATION: _____							
AGS, INC. PROJECT MANAGER							
SHEET NAME: <b>SUNSHADE SECTION SHEET</b>							
JOB NUMBER							
FINISH							
SCALE: 6" = 1'-0"							
DRAWN BY: _____ DATE: _____							
SHEET NO.							
<b>JRW 01-02</b>							

**ENGINEER OF RECORD VERIFY WALL CAN SUPPORT SUNSHADE LOADS:**

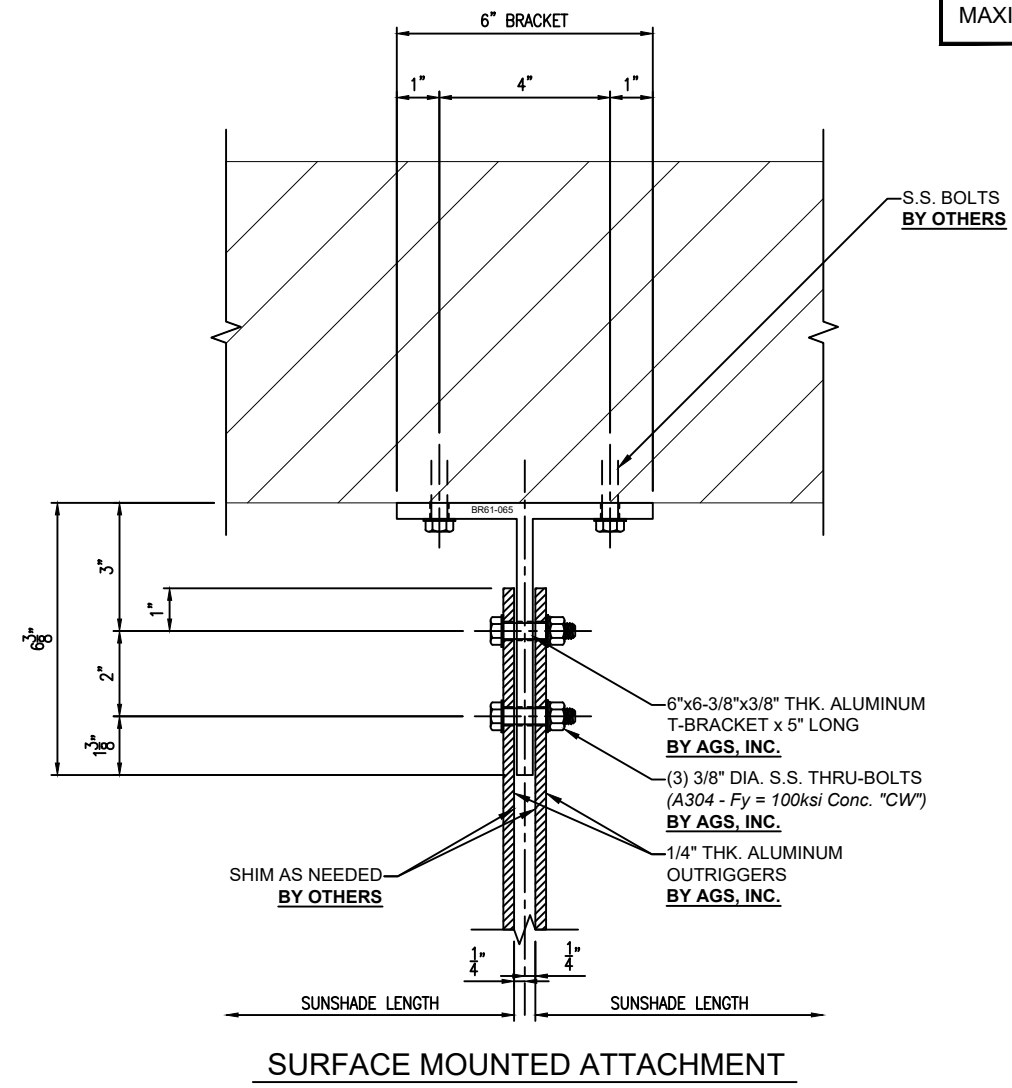
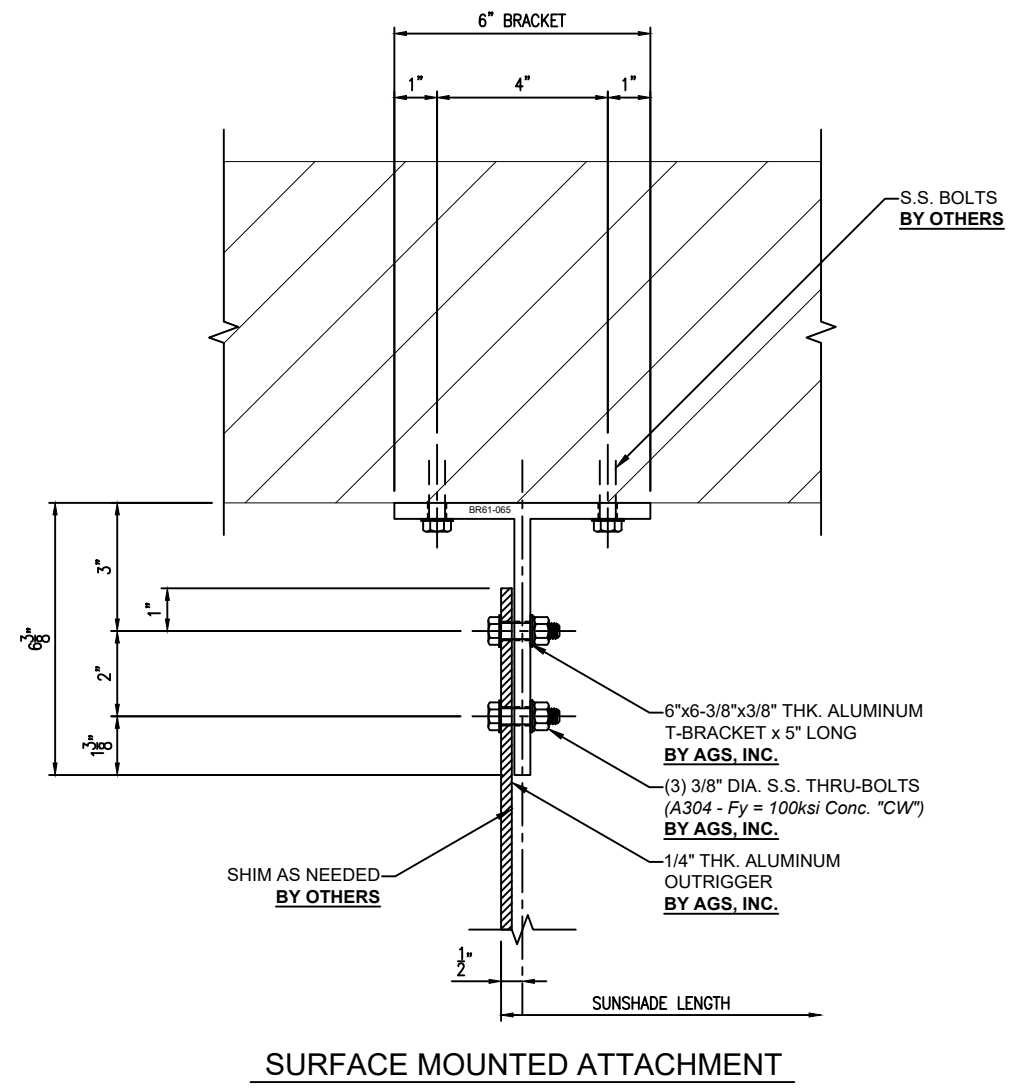
DESIGN LOAD: 57 psf

GROUND SNOW LOAD: 50 psf  
-See maps where these calculations do not apply.

WIND SPEED: 120 mph  
-See maps where these calculations do not apply.

ANCHORAGE IS BASED ON 30" PROJECTION.

MAXIMUM LENGTH OF SUNSHADE: 60"



5	REV. NO.	BY
4		
3		
2		
1		
<p>PROJECT NAME: AGS Inc.</p> <p>LOCATION: 22442 S. Fey Drive</p> <p>ARCHITECT: Frankfort, IL 60423</p> <p>CONTRACTOR: Ph: (708) 479-9458 Fax: (708) 479-9478</p> <p>LOCATION: www.agsshadec.com</p> <p>REPRESENTATIVE: Architectural Grilles &amp; Sunshades, Inc.</p> <p>AGS INC. PROJECT MANAGER:</p>		
SHEET NAME		
ATTACHMENT		
DETAIL		
SHEET		
JOB NUMBER		
FINISH		
6" = 1'-0"	DATE	
DRAWN BY	SHEET NO.	
JRW	02-02	