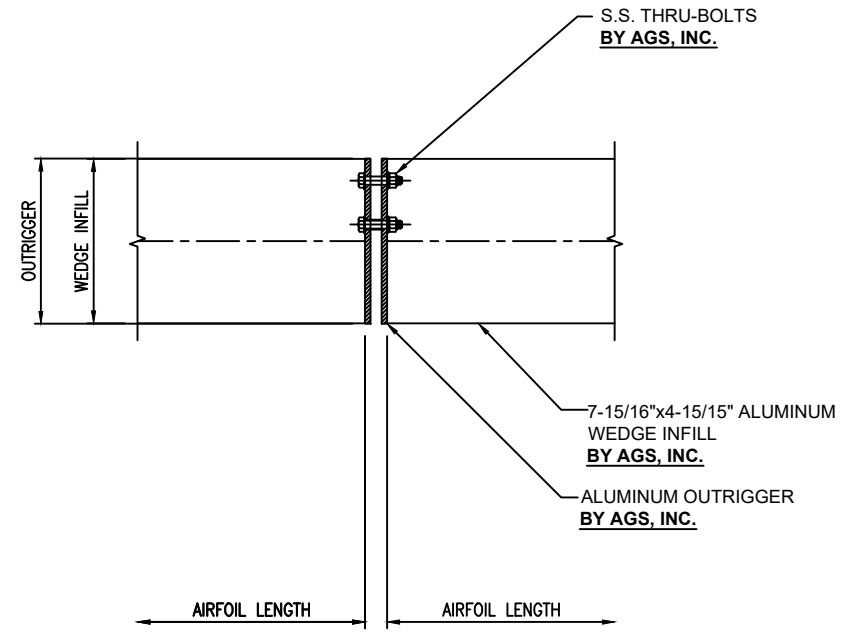
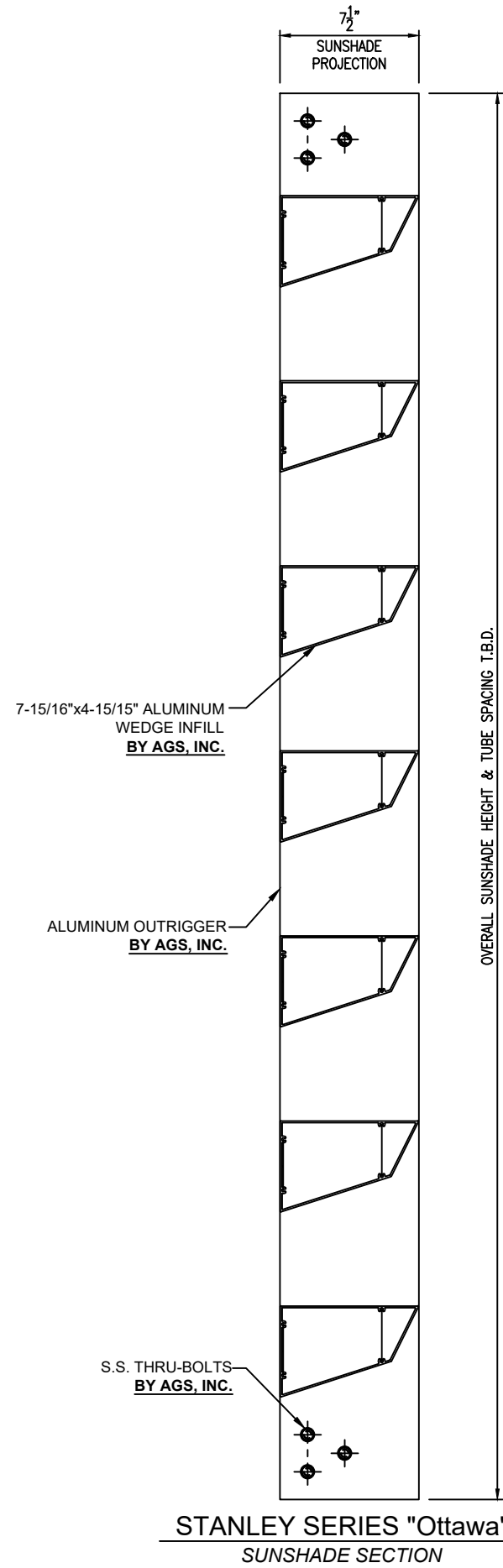


**NOTE:**  
ATTACHMENT TO  
STRUCTURE TO BE  
DETERMINED BY  
AGS ENGINEER.



**STANLEY SERIES "Ottawa"**  
INTERMEDIATE CONNECTION DETAIL

PROJECT NAME:	---
ARCHITECT:	---
CONTRACTOR:	---
REPRESENTATIVE:	---
AGS, INC. PROJECT MANAGER:	---
SHEET NAME: <b>SUNSHADE SECTION AND DETAIL SHEET</b>	
JOB NUMBER ---	
FINISH ---	
AS SHOWN SCALE:	DATE
DRAWN BY	SHEET NO.
---	01-01

AGS Inc. 22442 Fey Drive Frankfort, IL 60423 Ph: (708) 479-9458 Fax: (708) 479-9478 www.agsshadec.com	Architectural Grilles & Sunshades, Inc.
--	---

5	REV. NO.	DATE	BY
4			
3			
2			
1			