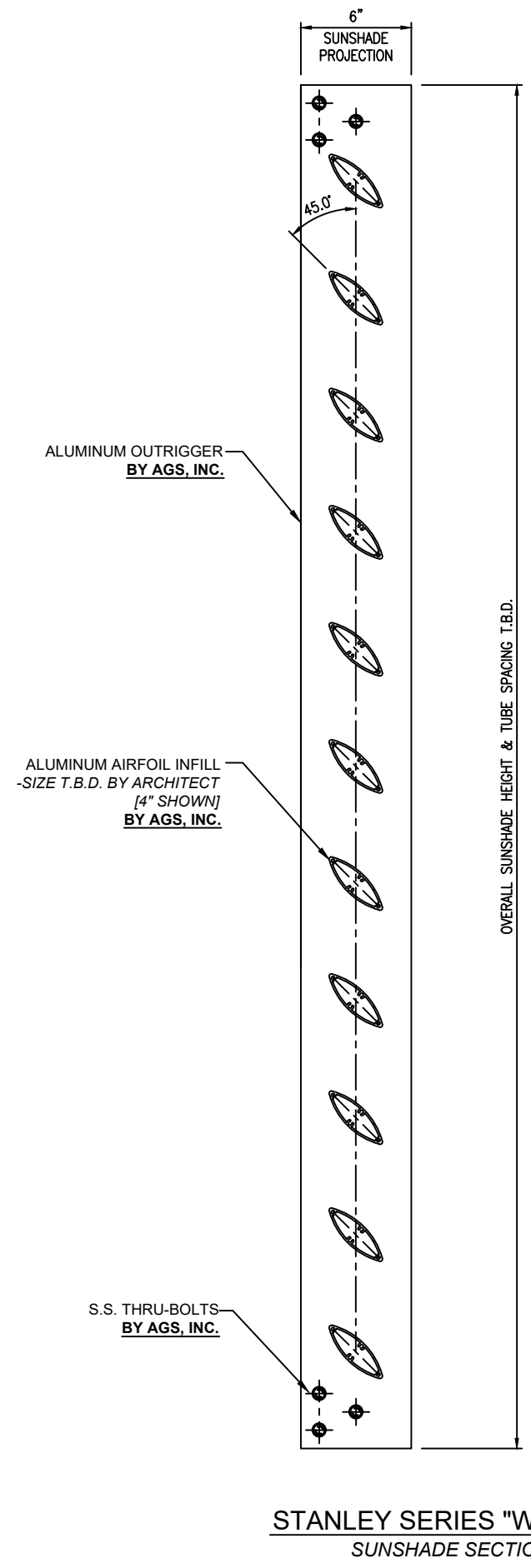
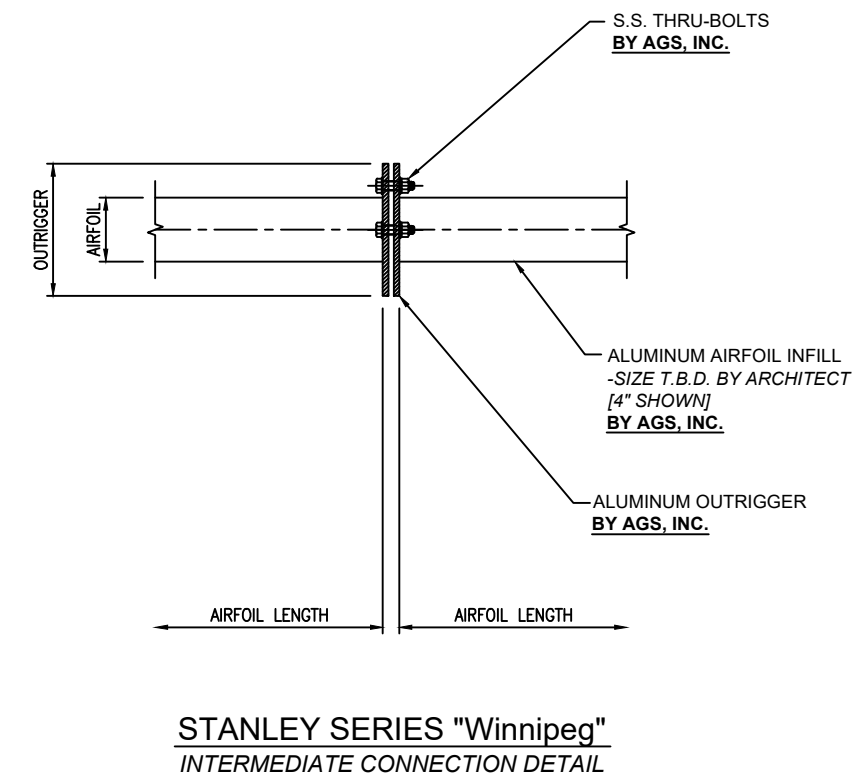


**NOTE:**  
ATTACHMENT TO  
STRUCTURE TO BE  
DETERMINED BY  
AGS ENGINEER.



**STANLEY SERIES "Winnipeg"**  
SUNSHADE SECTION



**STANLEY SERIES "Winnipeg"**  
INTERMEDIATE CONNECTION DETAIL

PROJECT NAME:	---
ARCHITECT:	---
CONTRACTOR:	---
REPRESENTATIVE:	---
AGS INC. PROJECT MANAGER:	---
SHEET NAME: <b>SUNSHADE SECTION AND DETAIL SHEET</b>	
JOB NUMBER:	---
FINISH:	---
AS SHOWN SCALE:	---
DRAWN BY:	---
DATE:	---
SHEET NO.:	01-01
REV. NO.	BY DATE
5	
4	
3	
2	
1	



**AGS Inc.**  
22442 Fey Drive  
Frankfort, IL 60423  
Ph: (708) 479-9458 Fax: (708) 479-9478  
www.agsshadec.com

**Architectural Grilles & Sunshades, Inc.**