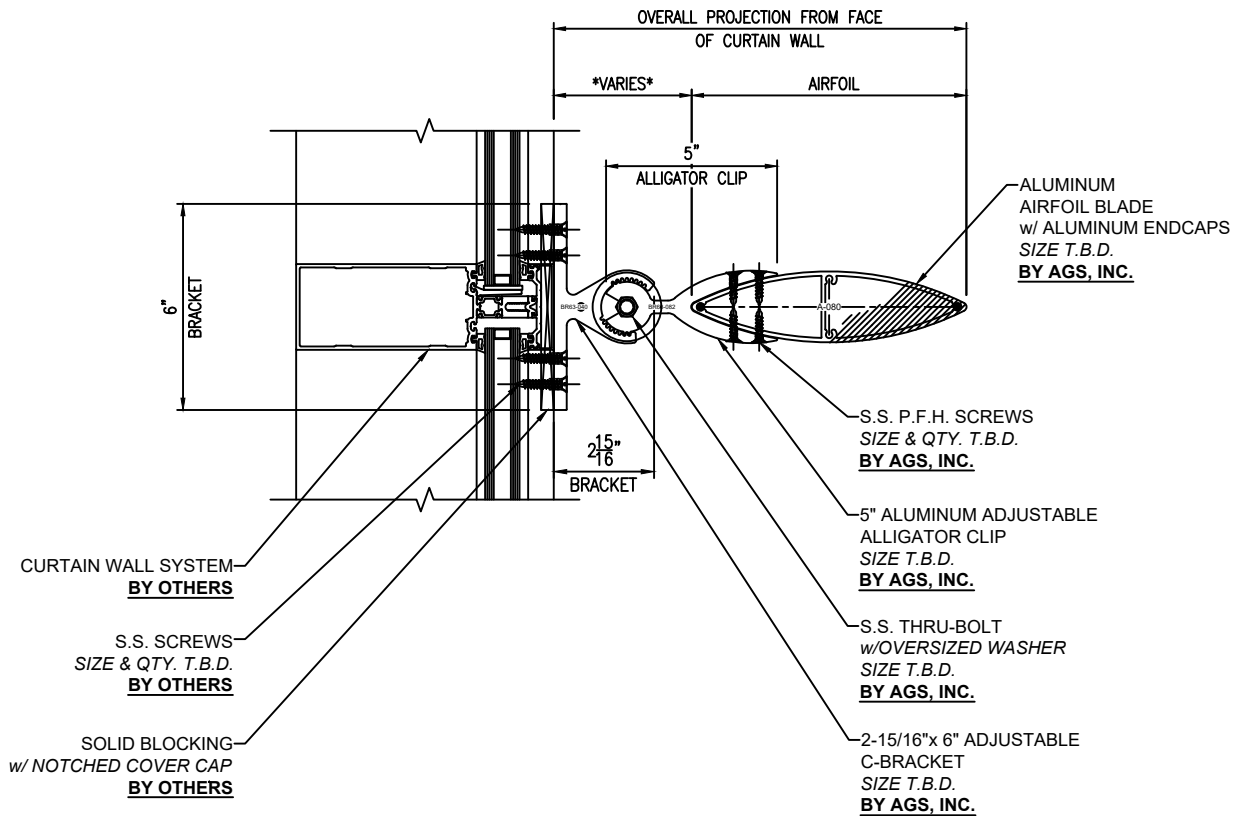


01 PLAN DETAIL  
 AT VERTICAL MULLION  
 SCALE: 6" = 1'-0"

**NOTE:**  
 ALLIGATOR CLIPS AND AIRFOIL  
 BLADES ARE AVAILABLE IN A VARIETY  
 OF SIZES. PLEASE CONTACT AGS, INC.  
 FOR MORE OPTIONS.

**CURTAINWALL ATTACHMENT**

STANDARD SIZES/DIMENSIONS SHOWN FOR DESIGN PURPOSES. ADDITIONALCHANGES TO SIZE CAN BE MADE AS NEEDED.



02 SECTION DETAIL  
AT VERTICAL MULLION  
SCALE: 6" = 1'-0"

**NOTE:**  
ALLIGATOR CLIPS AND AIRFOIL BLADES ARE AVAILABLE IN A VARIETY OF SIZES. PLEASE CONTACT AGS, INC. FOR MORE OPTIONS.

**CURTAINWALL ATTACHMENT**

STANDARD SIZES/DIMENSIONS SHOWN FOR DESIGN PURPOSES. ADDITIONAL CHANGES TO SIZE CAN BE MADE AS NEEDED.



**AGS INC**  
Architectural Grilles & Sunshades

info@agsshade.com  
www.agsshade.com  
708.479.9458