

01 PLAN DETAIL
AT VERTICAL MULLION
SCALE: 6" = 1'-0"

NOTE:
ALLIGATOR CLIPS AND AIRFOIL
BLADES ARE AVAILABLE IN A VARIETY
OF SIZES. PLEASE CONTACT AGS, INC.
FOR MORE OPTIONS.

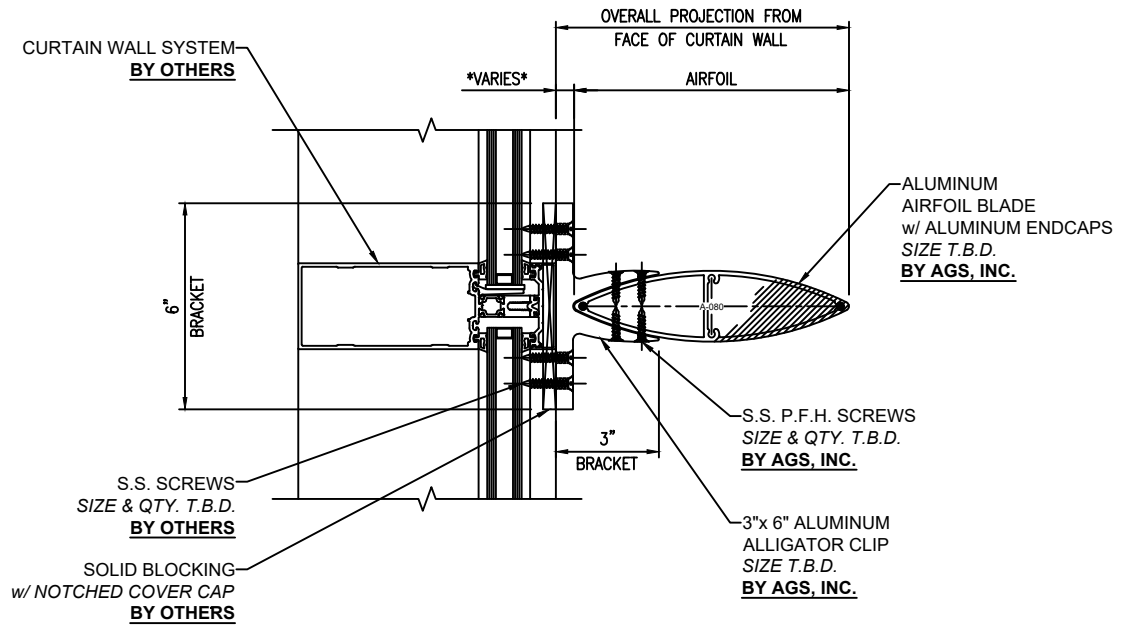
CURTAINWALL ATTACHMENT

STANDARD SIZES/DIMENSIONS SHOWN FOR DESIGN PURPOSES. ADDITIONAL CHANGES TO SIZE CAN BE MADE AS NEEDED.



AGS INC
Architectural Grilles & Sunshades

info@agsshade.com
www.agsshade.com
708.479.9458



02 SECTION DETAIL
AT VERTICAL MULLION
SCALE: 6" = 1'-0"

NOTE:
ALLIGATOR CLIPS AND AIRFOIL
BLADES ARE AVAILABLE IN A VARIETY
OF SIZES. PLEASE CONTACT AGS, INC.
FOR MORE OPTIONS.

CURTAINWALL ATTACHMENT

STANDARD SIZES/DIMENSIONS SHOWN FOR DESIGN PURPOSES. ADDITIONAL CHANGES TO SIZE CAN BE MADE AS NEEDED.



AGS INC
Architectural Grilles & Sunshades

info@agsshade.com
www.agsshade.com
708.479.9458