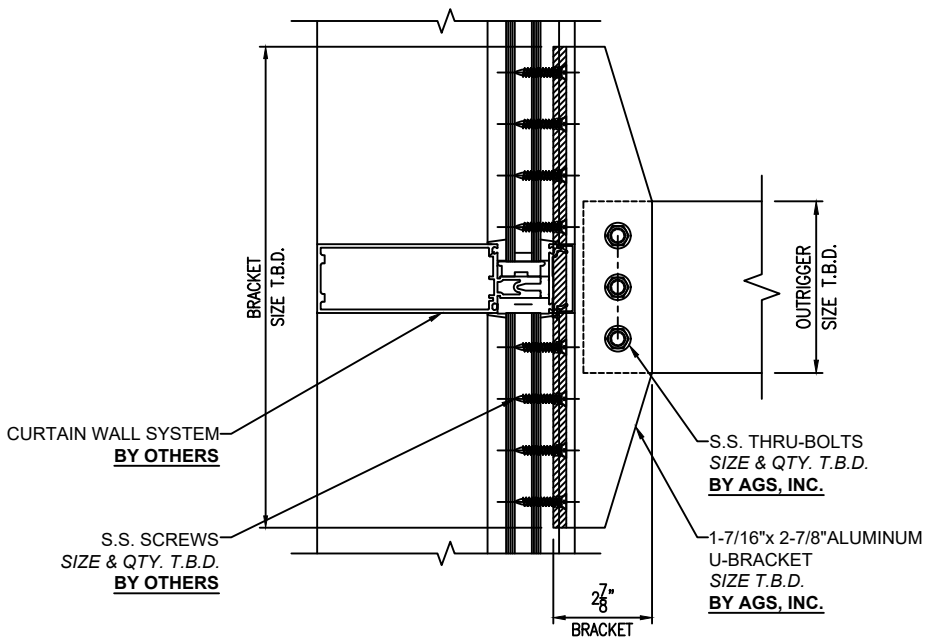


01 **PLAN DETAIL**  
AT VERTICAL MULLION  
SCALE: 6" = 1'-0"



02 **SECTION DETAIL**  
AT VERTICAL MULLION  
SCALE: 6" = 1'-0"

**CURTAINWALL ATTACHMENT**

STANDARD SIZES/DIMENSIONS SHOWN FOR DESIGN PURPOSES. ADDITIONAL CHANGES TO SIZE CAN BE MADE AS NEEDED.



**AGS INC**  
Architectural Grilles & Sunshades

info@agsshade.com  
www.agsshade.com  
708.479.9458