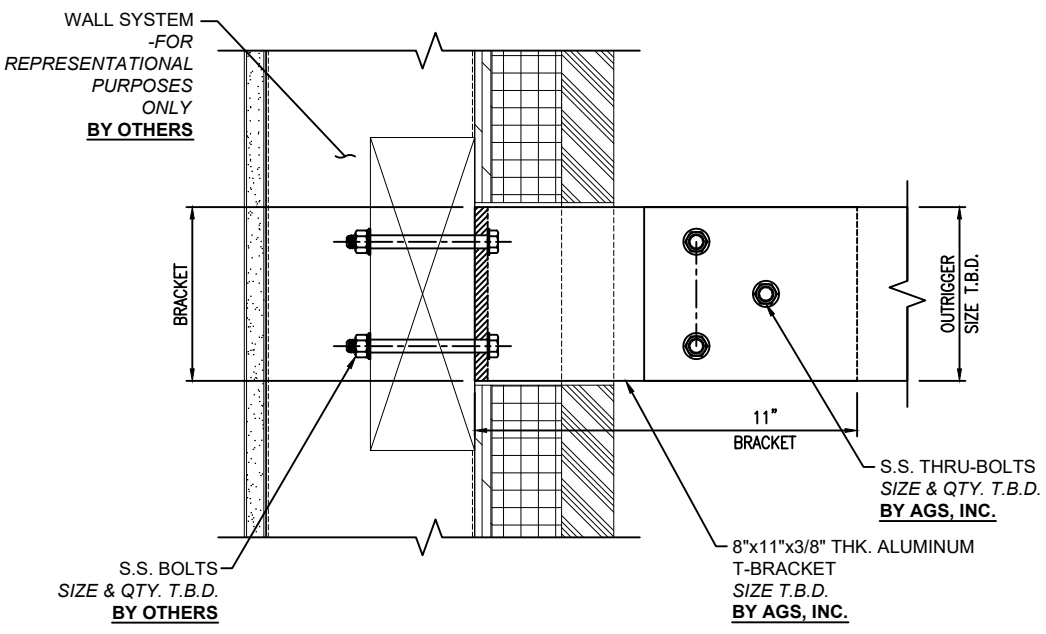


01 **PLAN DETAIL**
AT WOOD BLOCKING
SCALE: 6" = 1'-0"



02 **SECTION DETAIL**
AT WOOD BLOCKING
SCALE: 6" = 1'-0"

SUBSTRATE ATTACHMENT

STANDARD SIZES/DIMENSIONS SHOWN FOR DESIGN PURPOSES. ADDITIONAL CHANGES TO SIZE CAN BE MADE AS NEEDED.