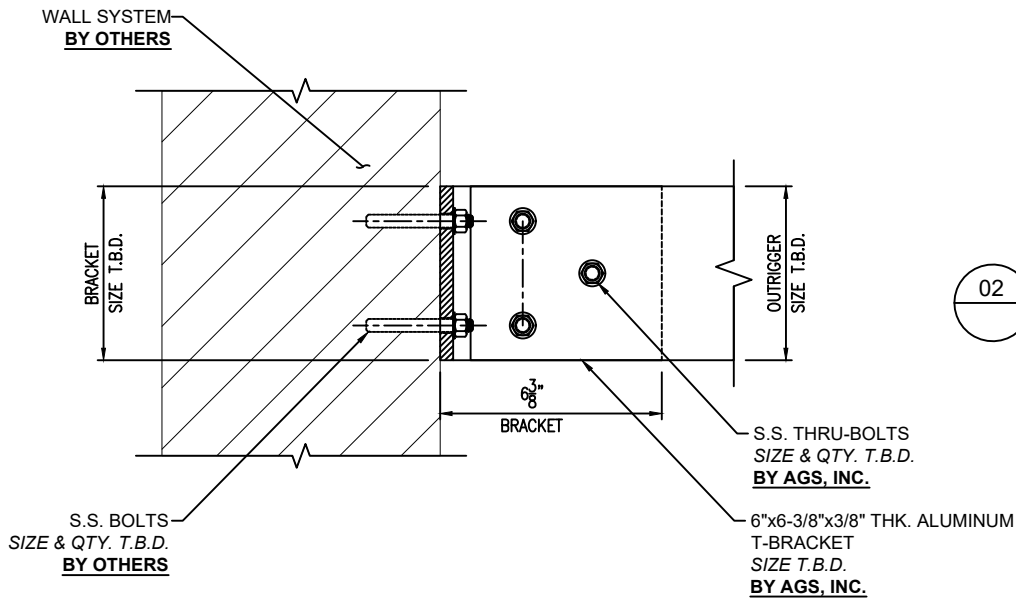


01 **PLAN DETAIL**
SURFACE MOUNT
SCALE: 6" = 1'-0"



02 **SECTION DETAIL**
SURFACE MOUNT
SCALE: 6" = 1'-0"

SURFACE MOUNT ATTACHMENT

STANDARD SIZES/DIMENSIONS SHOWN FOR DESIGN PURPOSES. ADDITIONAL CHANGES TO SIZE CAN BE MADE AS NEEDED.



AGS INC
Architectural Grilles & Sunshades

info@agsshade.com
www.agsshade.com
708.479.9458