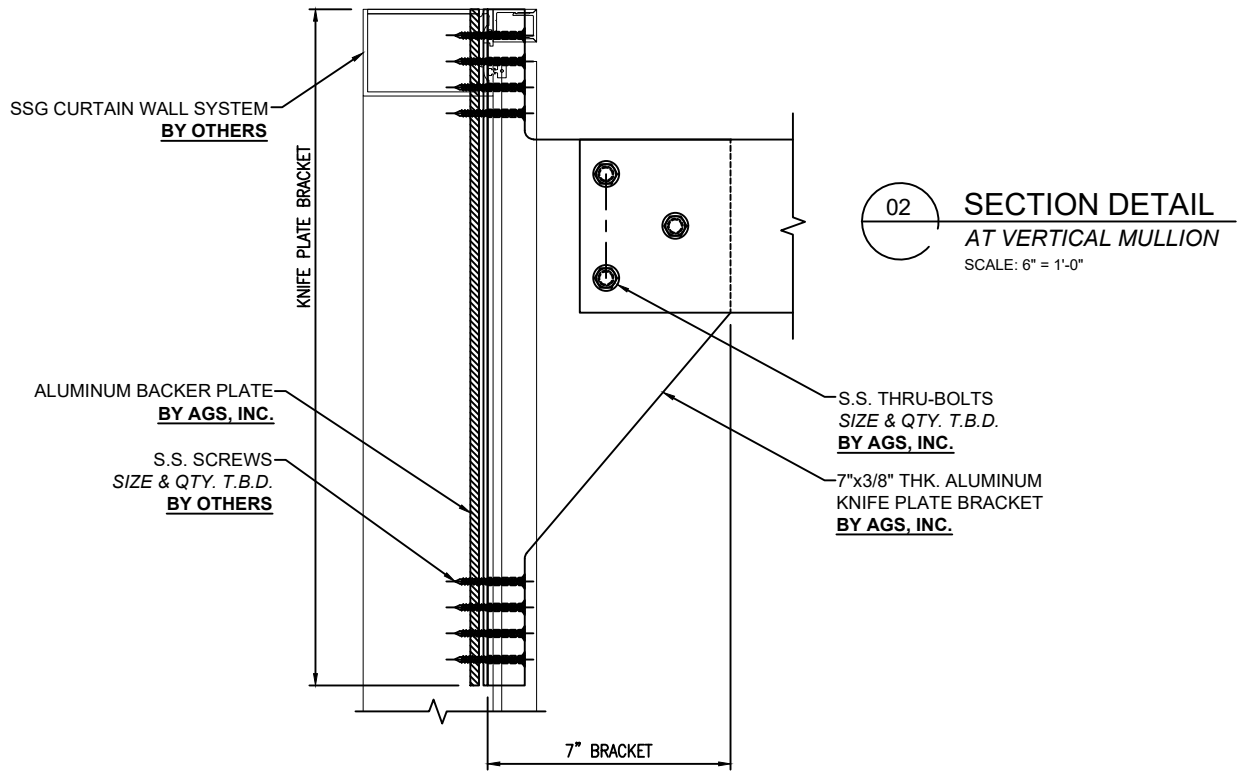


01 **PLAN DETAIL**
 AT VERTICAL MULLION
 SCALE: 6" = 1'-0"



02 **SECTION DETAIL**
 AT VERTICAL MULLION
 SCALE: 6" = 1'-0"

CURTAINWALL ATTACHMENT

STANDARD SIZES/DIMENSIONS SHOWN FOR DESIGN PURPOSES. ADDITIONAL CHANGES TO SIZE CAN BE MADE AS NEEDED.



AGS INC
 Architectural Grilles & Sunshades

info@agsshade.com
 www.agsshade.com
 708.479.9458