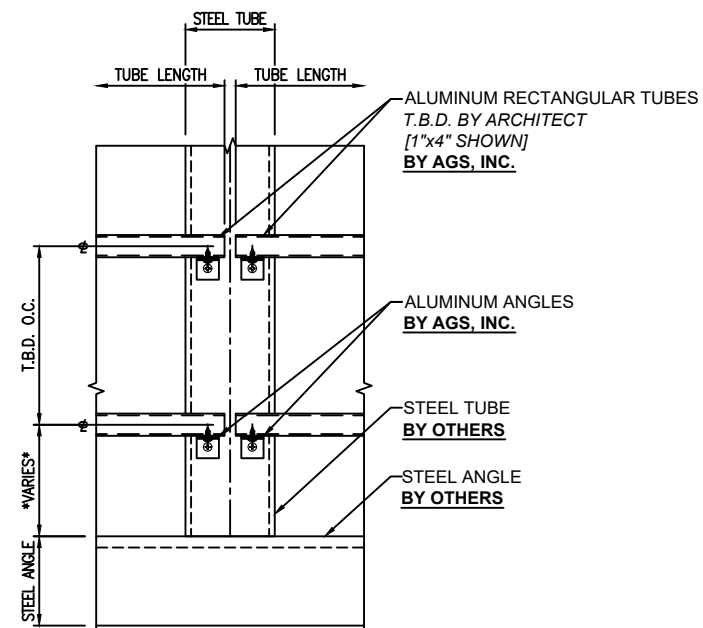
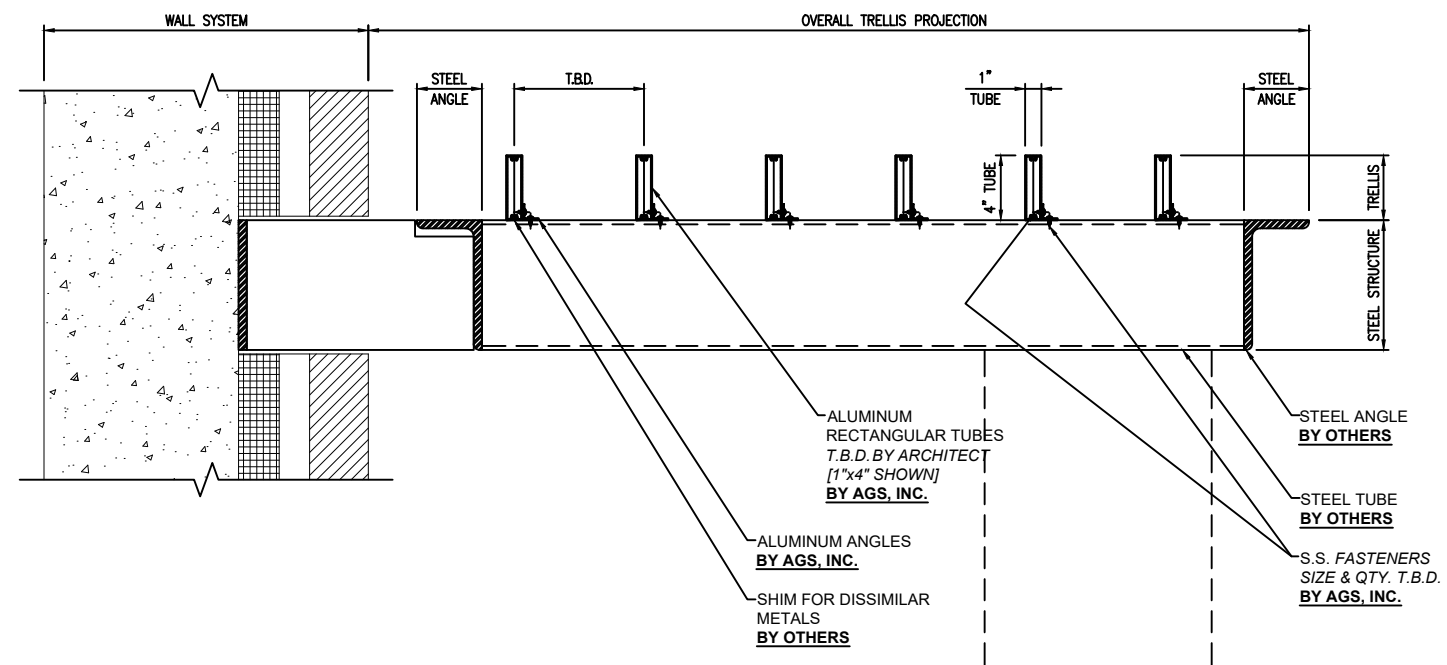


WINDY CITY SERIES "Franklin"
TRELLIS PLAN VIEW



WINDY CITY SERIES "Franklin"
TRELLIS CONNECTION DETAIL - PLAN VIEW



WINDY CITY SERIES "Franklin"
TRELLIS CONNECTION DETAIL - SECTION VIEW

5					
4					
3					
2					
1					
	REV. NO.		DATE	BY	

AGS Inc.
22442 Fey Drive
Frankfort, IL 60423
Ph: (708) 479-9458
Fax: (708) 479-9478
www.agsshadco.com

Architectural Grilles & Sunshades, Inc.

PROJECT NAME: _____
 ARCHITECT: _____
 LOCATION: _____
 CONTRACTOR: _____
 LOCATION: _____
 REPRESENTATIVE: _____
 LOCATION: _____
 AGS INC. PROJECT MANAGER: _____

SHEET NAME:
**TRELLIS
DETAIL
SHEET**

JOB NUMBER

FINISH

SCALE: 1'-0" = 1'-0" DATE: 8-05-23

DRAWN BY: ALG SHEET NO.: 01-01