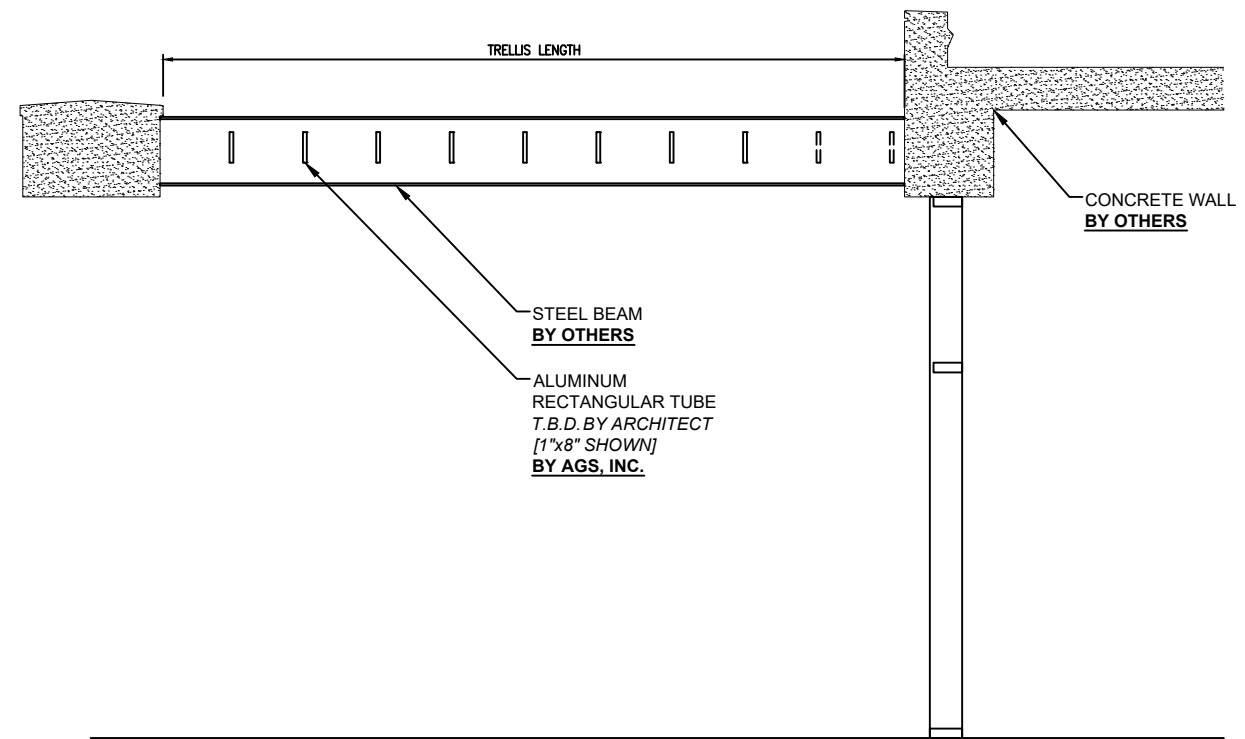
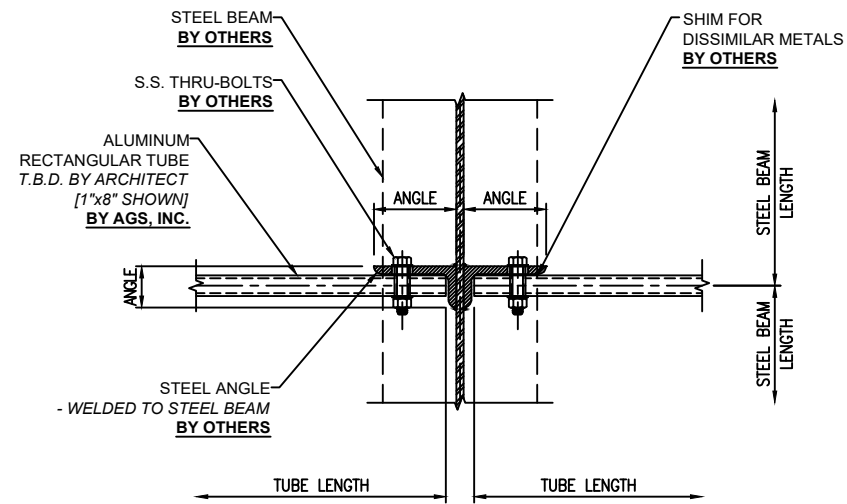


WINDY CITY SERIES "Thompson"
TRELLIS PLAN VIEW



WINDY CITY SERIES "Thompson"
TRELLIS ELEVATION



WINDY CITY SERIES "Thompson"
TRELLIS CONNECTION DETAIL - PLAN VIEW

PROJECT NAME:	AGS Inc.
LOCATION:	22442 Fey Drive
ARCHITECT:	Frankfort, IL 60423
CONTRACTOR:	Ph: (708) 479-9458
LOCATION:	Fax: (708) 479-9478
REPRESENTATIVE:	www.agsshadec.com
LOCATION:	Architectural Grilles & Sunshades, Inc.
AGS INC. PROJECT MANAGER:	
SHEET NAME:	TRELLIS DETAIL SHEET
JOB NUMBER:	
FINISH:	
SCALE:	1'-0" = 1'-0"
DATE:	8-05-23
DRAWN BY:	ALG
SHEET NO.:	01-01
REV. NO.:	1
DATE:	
BY:	