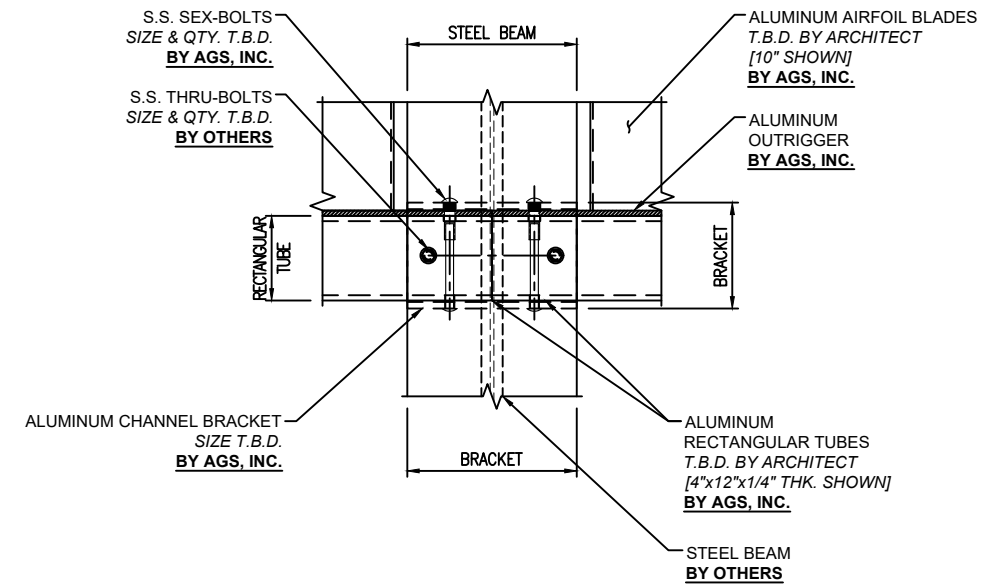
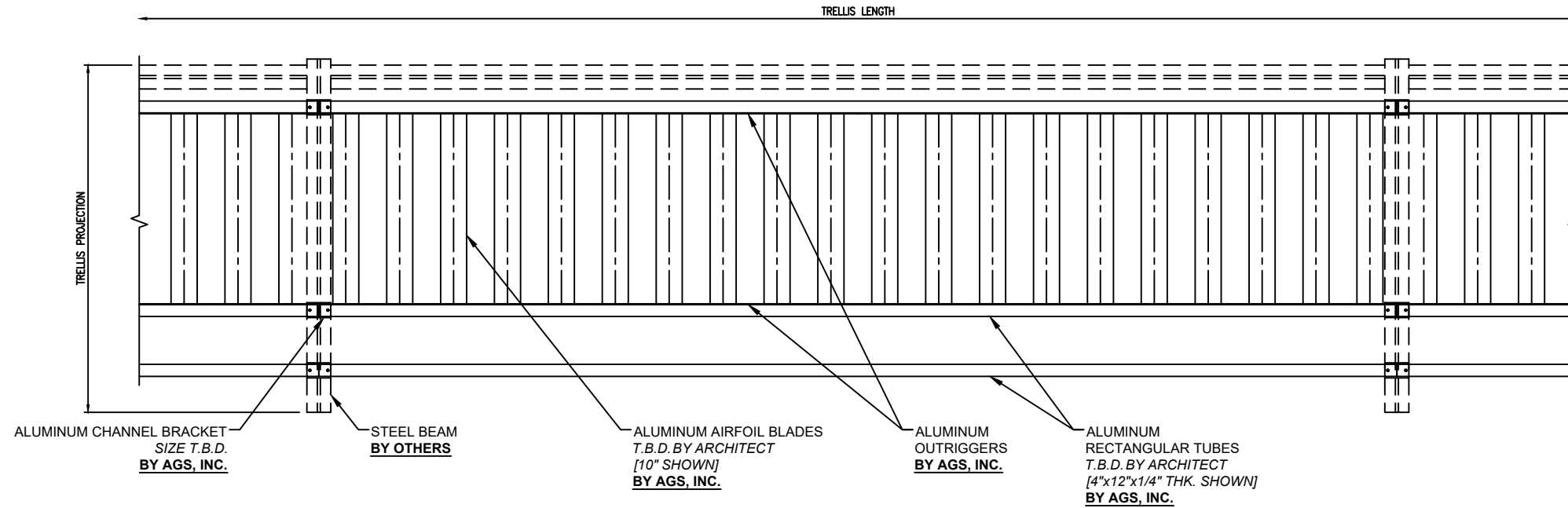
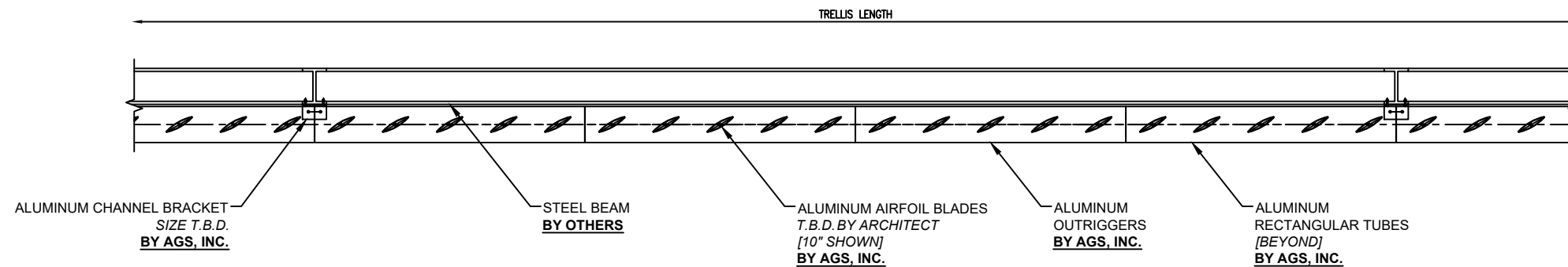


WINDY CITY SERIES "Wrigley"
TRELLIS PLAN VIEW



WINDY CITY SERIES "Wrigley"
TRELLIS CONNECTION DETAIL - PLAN VIEW

WINDY CITY SERIES "Wrigley"
TRELLIS SECTION VIEW



5	REV. NO.	DATE	BY
4			
3			
2			
1			

AGS Inc.
22442 Fey Drive
Frankfort, IL 60423
Ph: (708) 479-9458
Fax: (708) 479-9478
www.agsshadec.com

Architectural Grilles & Sunshades, Inc.

PROJECT NAME:	---
ARCHITECT:	---
LOCATION:	---
CONTRACTOR:	---
LOCATION:	---
REPRESENTATIVE:	---
LOCATION:	---
AGS, INC. PROJECT MANAGER:	---
SHEET NAME:	TRELLIS DETAIL SHEET
JOB NUMBER:	---
FINISH:	---
SCALE:	1'-0" = 1'-0"
DATE:	8-05-23
DRAWN BY:	ALG
SHEET NO.:	01-01